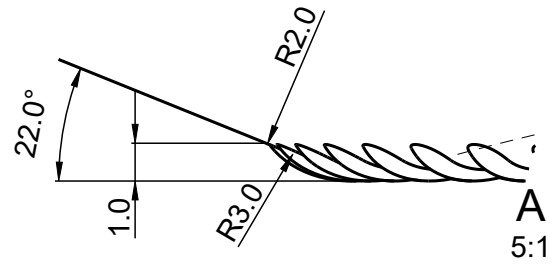
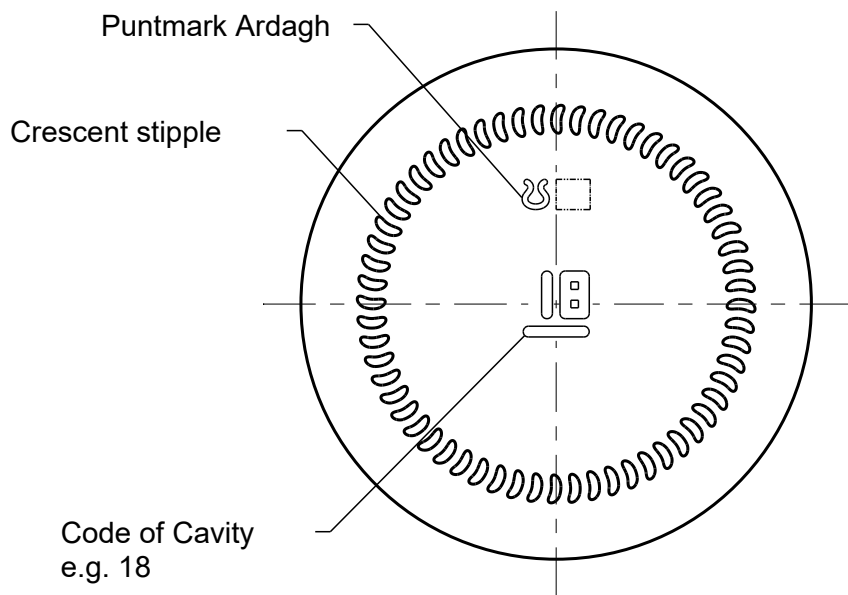


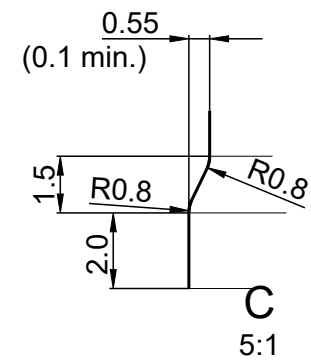
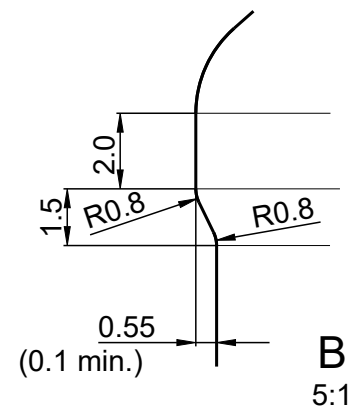
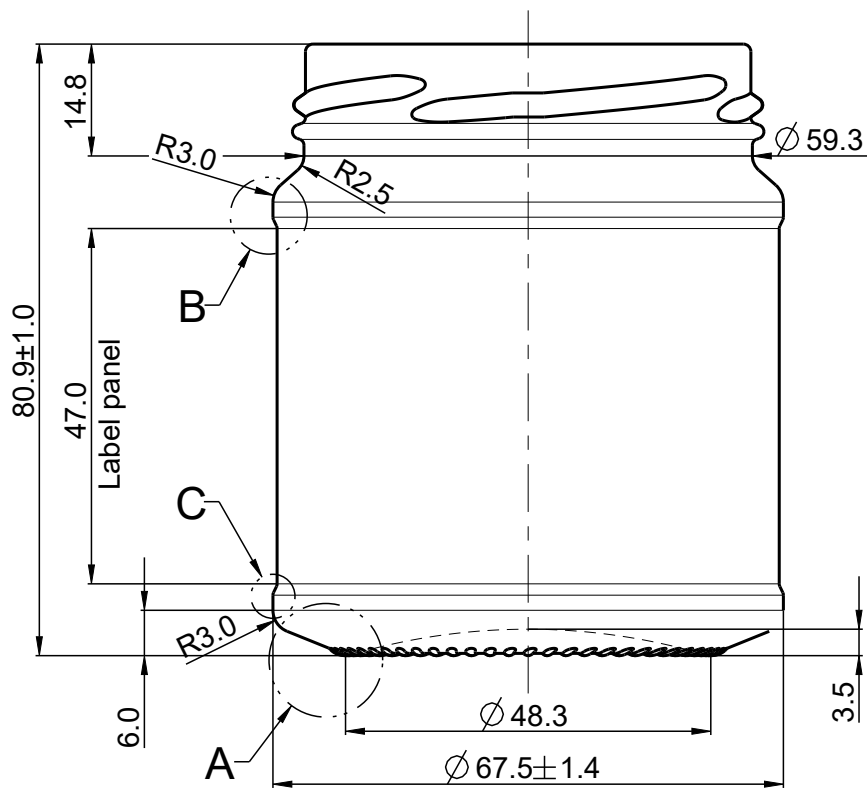


COLOUR	SAP SPEAKING NO	SAP MATERIAL NO
WHITE FLINT	30-11537 -0	31001537

Bottom view



Front view



0.3 STIPPLE HEIGHT IS INCLUDED IN ALL DIMENSIONS FROM THE BASE

NOMINAL CAPACITY	-	SPECIFICATION AGREEMENTS ARE BASED ON TOLERANCED DIMENSIONS ONLY DO NOT SCALE DRAWING COPYRIGHT RESERVED. NOT TO BE COPIED IN WHOLE OR PART WITHOUT WRITTEN PERMISSION FROM ARDAGH GLASS LTD. ALL DIMENSIONS ARE IN MILLIMETERS Document supervised by SAP, cProject and Windchill PDMLink systems	OEG Design Product Design Ardagh Glass	ArdaghGlassPackaging			
BRIMFUL CAPACITY	209.0 ml ± 9.0 ml						
VACUITY	-			DESIGNER	MartaR	SHEET	1 / 1
FINISH DESCRIPTION	TO63			DATE	06.07.2017	SCALE	1:1 (A3)
FINISH NUMBER	AF04402			CUSTOMER	Standard	PROJECT	
FINISH NORM	CE.T.I.E. GME 20.06:1995			PRODUCT NAME	Round Jar 01 209		
MINIMUM THROUGH BORE	-			SAP MATERIAL NAME	Round Jar 01 209 C30 63TO		
WEIGHT NOMINAL	135 g			OLD NUMBER	20-0024		
USAGE	NON RETURNABLE			DRAWING NO.	D20180 B		
CARBONATION	-	B Changed SAP MATERIAL NAME	LingemannS	07.07.2022	PRODUCT CODE	11537 -0	
TILT ANGLE	39.3°	A First drawing / redrawn from 2D	MartaR	06.07.2017			
		REVISION	DSG	DATE			