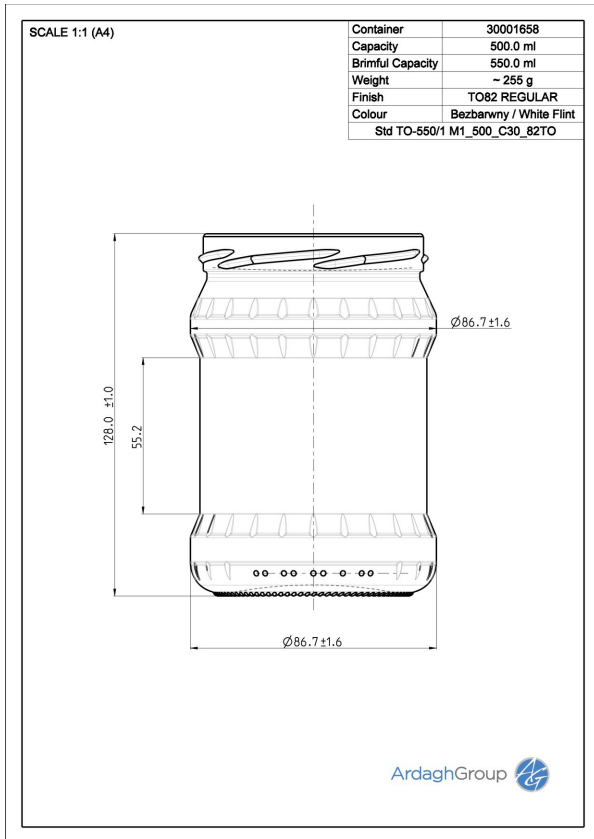


# 30001658 Std TO-550/1 M1 500 C30 82TO



Colour:  
White flint

Capacity:  
550 ml

Finish Diameter:  
82 mm

Shape:  
Round

Body Diameter:  
87 mm

Height:  
128 mm

Weight:  
255 g

Returnable:  
No

Suitable for Carbonation:  
No

contact:  
Poland  
food.pl@ardaghgroup.com  
+48 65 57 28 500

Please note minimum order quantities will apply.