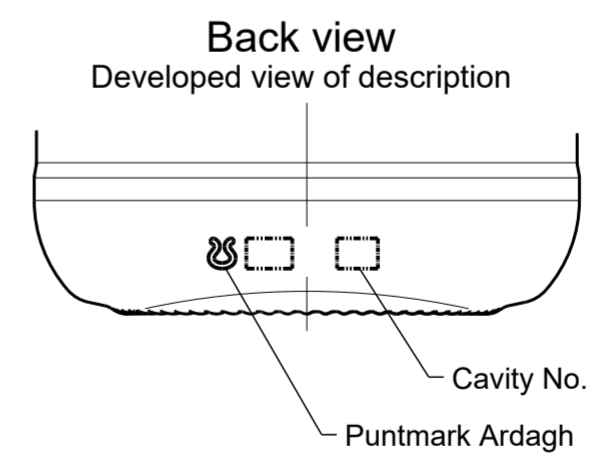
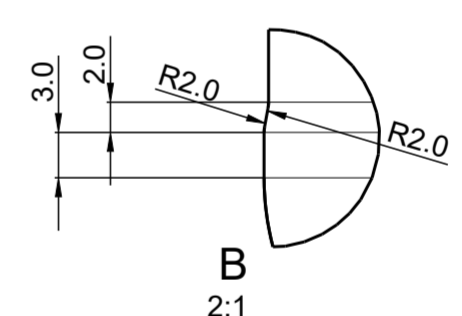
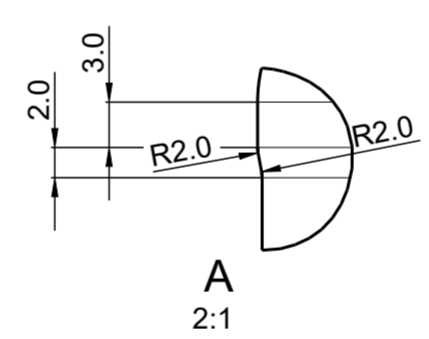
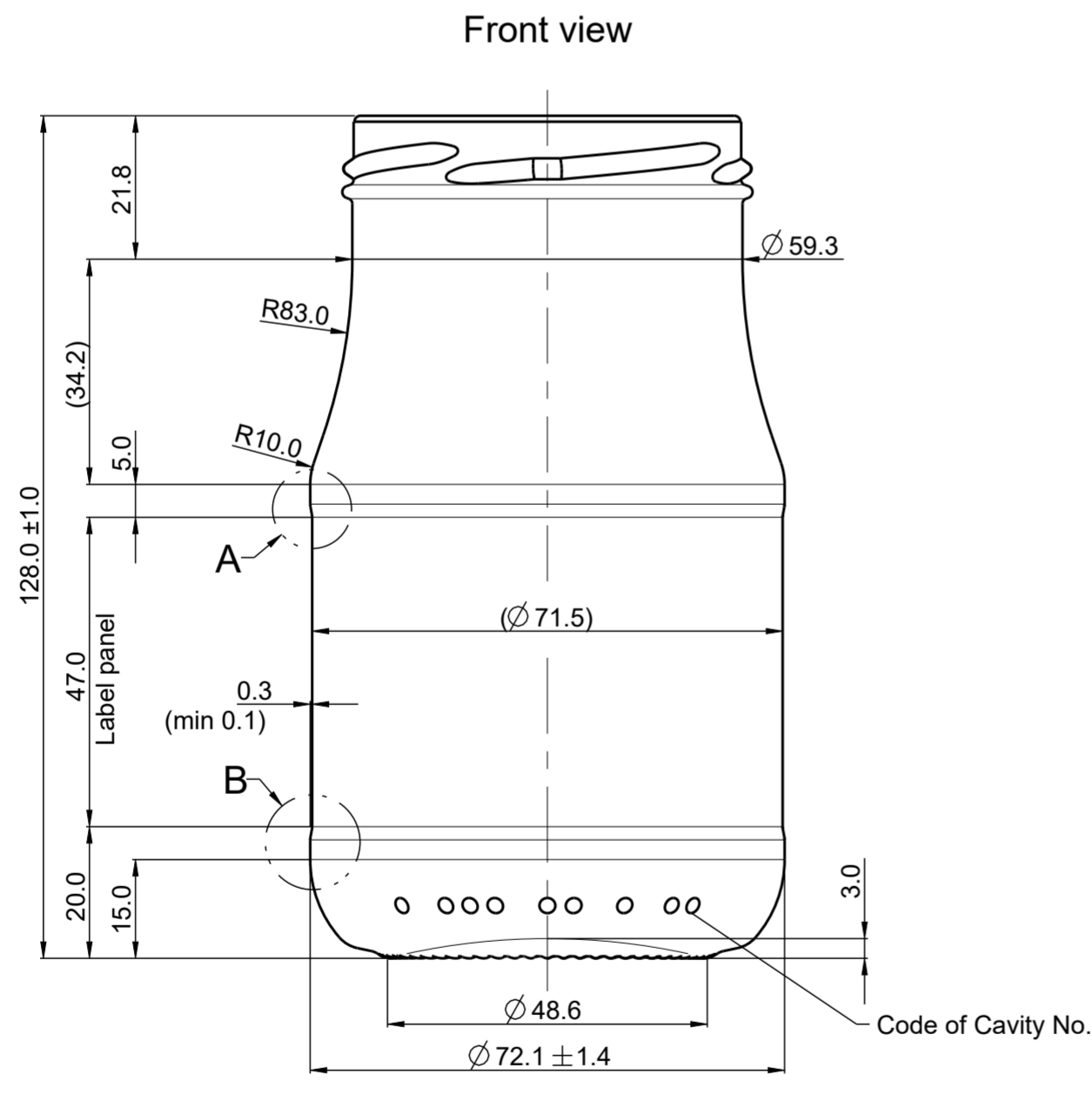
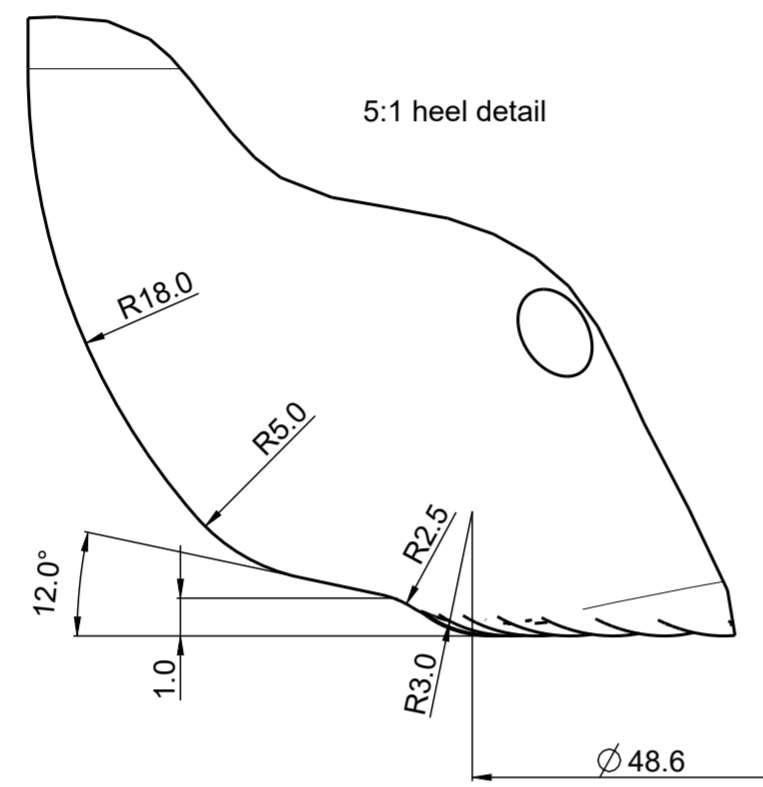
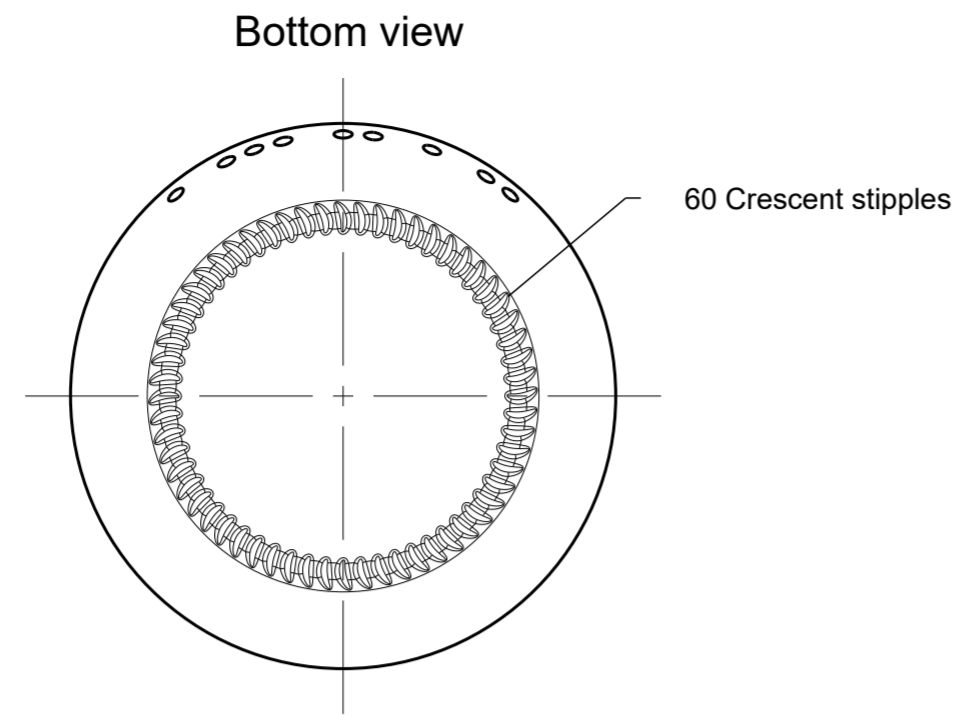




COLOUR	SAP SPEAKING NO	SAP MATERIAL NO
WHITE FLINT	30-01477 -0	30001477



0.3 STIPPLE HEIGHT IS INCLUDED IN ALL DIMENSIONS FROM THE BASE

NOMINAL CAPACITY	-	SPECIFICATION AGREEMENTS ARE BASED ON TOLERANCED DIMENSIONS ONLY DO NOT SCALE DRAWING COPYRIGHT RESERVED, NOT TO BE COPIED IN WHOLE OR PART WITHOUT WRITTEN PERMISSION FROM ARDAGH GLASS LTD. ALL DIMENSIONS ARE IN MILLIMETERS Document supervised by SAP, cProject and Windchill PDMLink systems	OEG Design Product Design Ardagh Glass		ArdaghGlassPackaging	
BRIMFUL CAPACITY	373.0 ml ± 10.0 ml		DESIGNER	LingemannS		SHEET
VACUITY	-		DATE	24.07.2017	SCALE	1:1 (A2)
FINISH DESCRIPTION	TO63	CUSTOMER	Standard	PROJECT	201326	
FINISH NUMBER	AF04402	PRODUCT NAME				Atlas Jar 01 373ml
FINISH NORM	CE.T.I.E. GME 20.06:1995	SAP MATERIAL NAME				Atlas Jar 01 373 C30 63TO
MINIMUM THROUGH BORE	-	OLD NUMBER				37-0517
WEIGHT NOMINAL	195 g	DRAWING NO.		PRODUCT CODE		
USAGE	NON RETURNABLE	D20247 B		01477 -0		
CARBONATION	-	B Change SAP material name	MartaR	06.07.2022		
TILT ANGLE	25.6°	A First drawing	LingemannS	24.07.2017		
		REVISION	DSG	DATE		